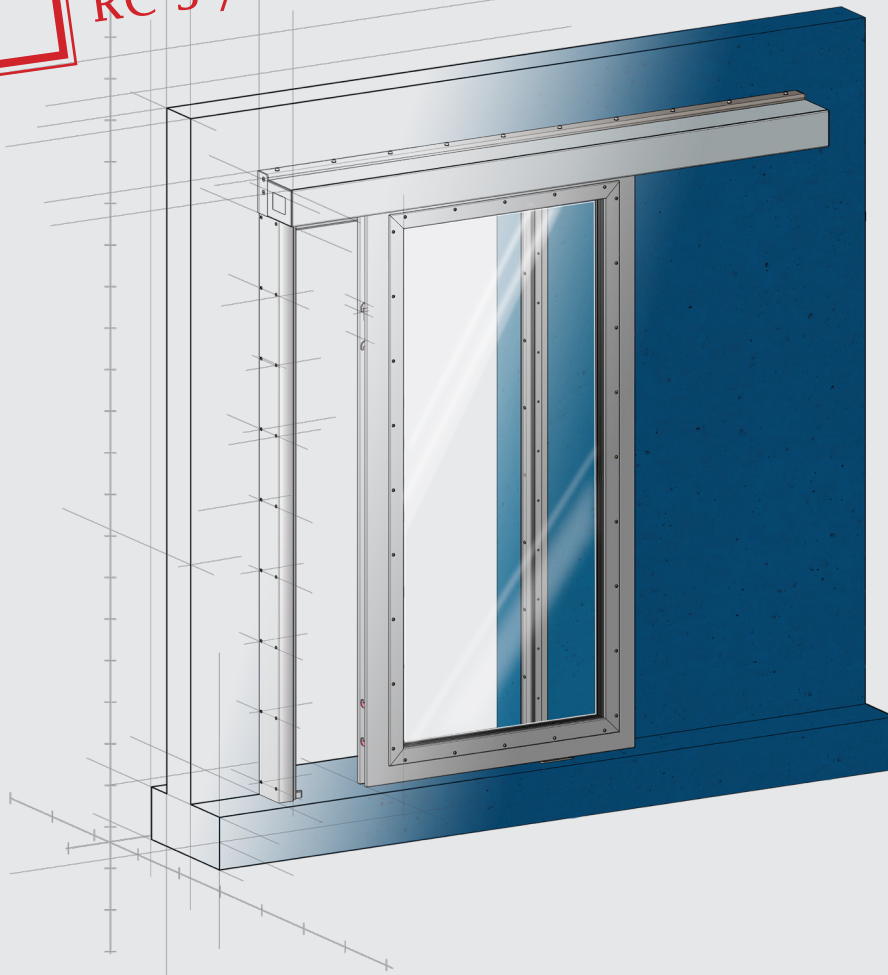


HSL - Multifunctional sliding door

> Safety sliding door made of steel or stainless steel

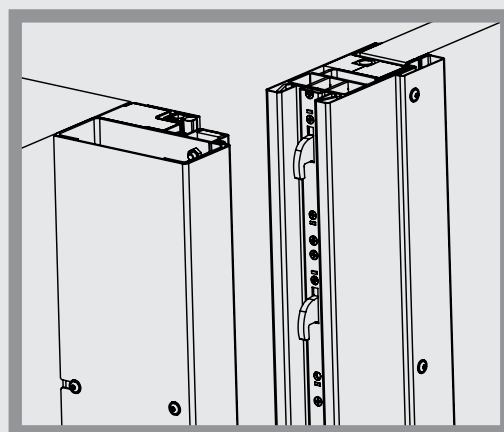
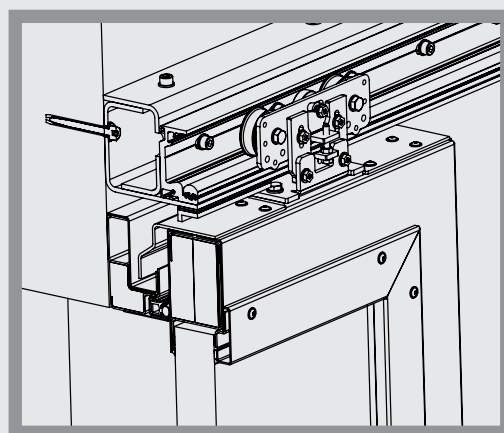
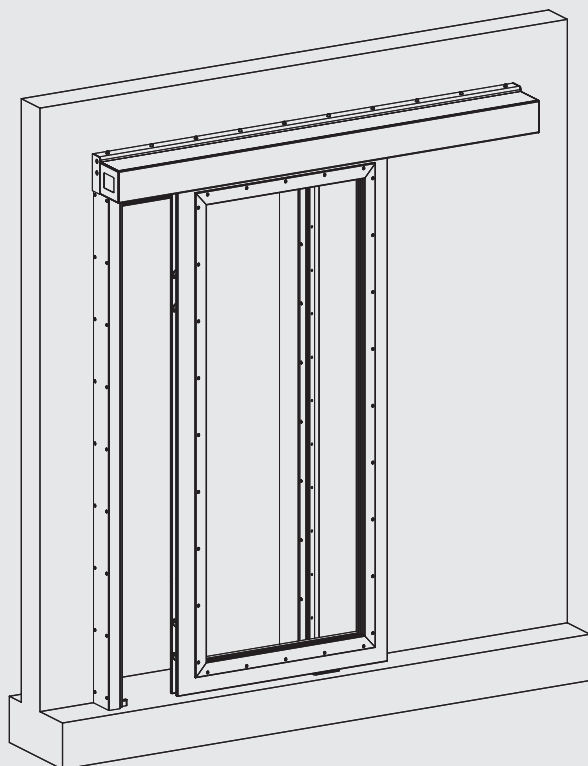
NEW

Fully automatic sliding door
with bullet and burglary protection
RC 3 / FB 4 (NS)



Technical details

> Wide range of applications with individual protection



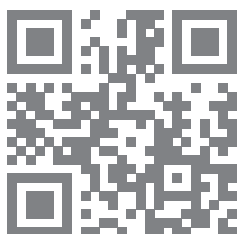
Performance characteristics

Burglary resistance EN 1627	RC 3
Bullet resistance EN 1522	FB 4 (NS)
Automatic door in accordance with EN 16005	●
Attack side (outside) flush	●
No floor guide (recessed threshold) necessary	●
Panic release on the inside	●
Optionally with glazing	●

Dimensions (CW)

Width (mm)	600 - 1.500
Height (mm)	1.800 - 3.000
Door leaf thickness (mm)	69

04/2020 - Technical modifications reserved



► www.hodapp.de

We are looking forward
to your enquiry !

Hodapp GmbH & Co. KG
Grossweierer Strasse 77
D-77855 Achern

Tel. +49 (7841) 6006-0
Fax +49 (7841) 6006-10
info@hodapp.de

